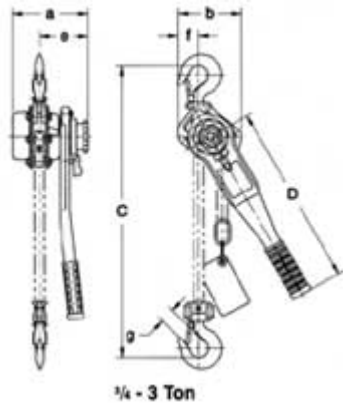
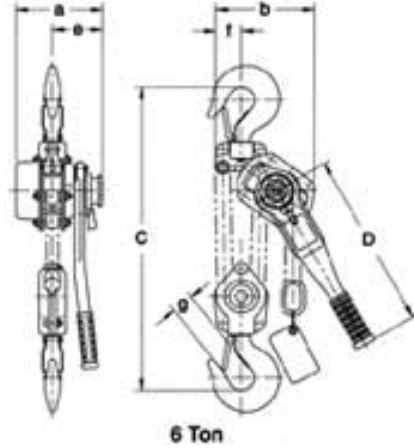


LB Lever Hoist Dimensions and Specifications

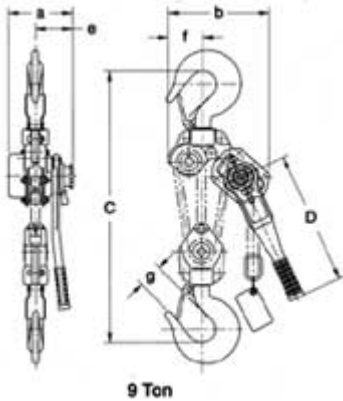
Cap. (Tons)	Product Code	Headroom C (in)	Std. Lift (ft)	Pull to Lift Load (lbs)	a (in)	b (in)	D (in)	e (in)	f (in)	g (in)	Load Chain Diameter (mm) x Chain Fall Lines	Net Weight (lbs)	Shipping Weight Approx. (lbs)	Weight for Add'l One Foot of Lift (lbs)
3/4	LB008	11.0	5	58	6.0	4.8	10.4*	4.0	1.4	0.9	5.6 X 1	14	14	0.4
1	LB010			77										
1 1/2	LB015	13.8	5	58	6.7	5.6	16.3	4.3	1.8	1.3	7.1 X 1	21	22	0.8
2	LB020			77										
3	LB030	16.5	5	70	7.0	8.0	16.3	4.5	2.0	1.6	9.0 X 1	34	36	1.2
6	LB060	22.4	5	72	7.7	8.7	16.3	4.5	2.4	2.0	9.0 X 2	60	62	2.4
9	LB090	27.8	5	74	7.7	11.1	16.3	4.5	3.9	2.9	9.0 X 3	93	97	3.6



3/4 - 3 Ton



6 Ton



9 Ton

LB Optional Accessories



Point Load Hookssold with latch

Top Hook Extender with 18" of chain

Load Limit Warning Handle